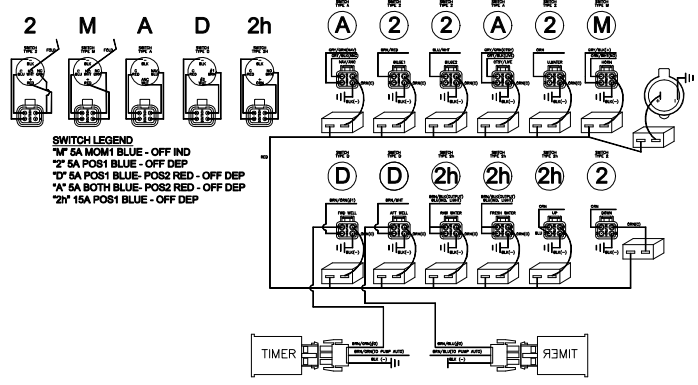
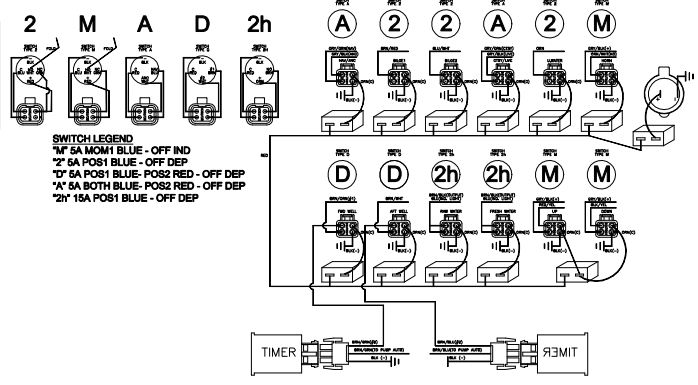
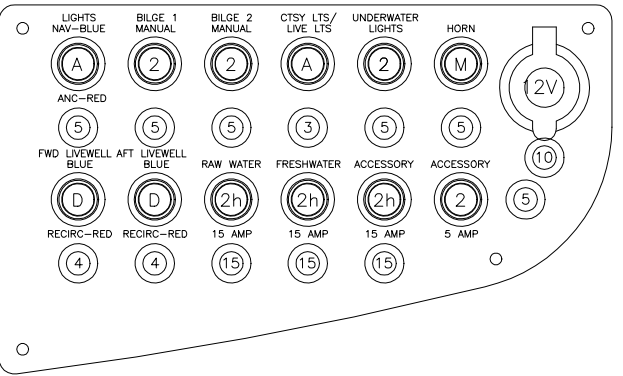
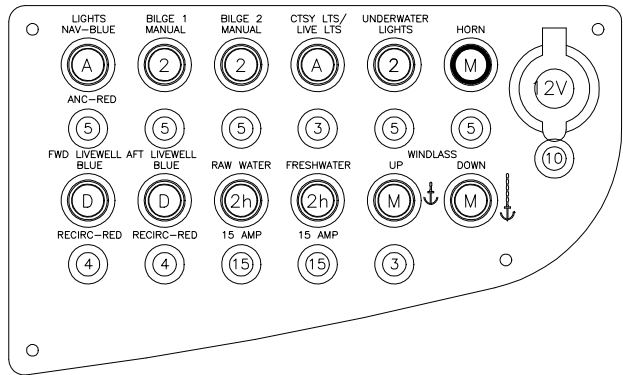
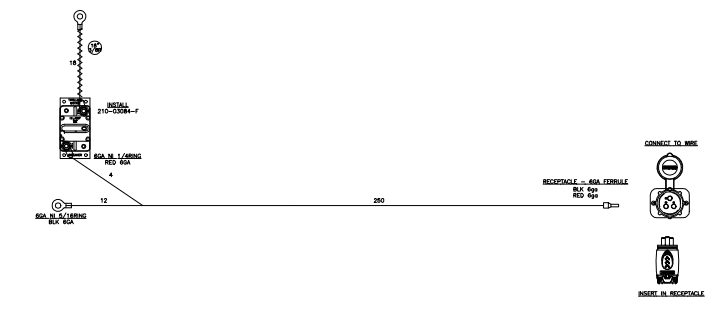
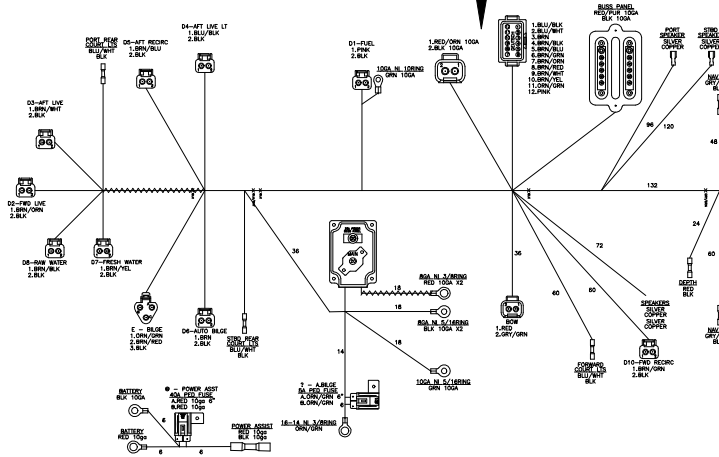
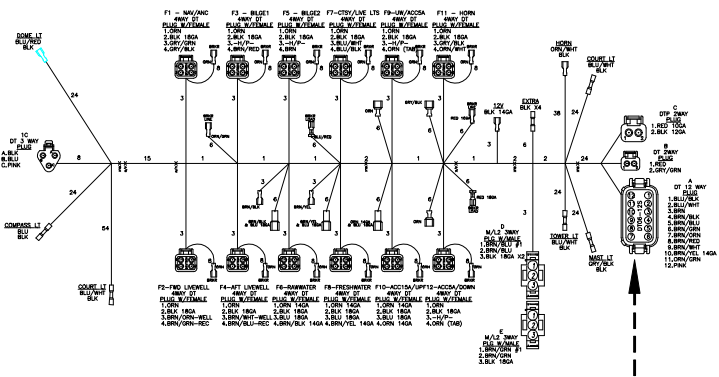


251 HYBRID

251 NB W/ WINDLASS



BATTERY 2 + 3/8 RING RED — 26 — BATTERY 1 - 5/16 RING RED
 TAPE TO HARNESS
 BATTERY 3 + 3/8 RING RED — 26 — BATTERY 2 - 5/16 RING RED

